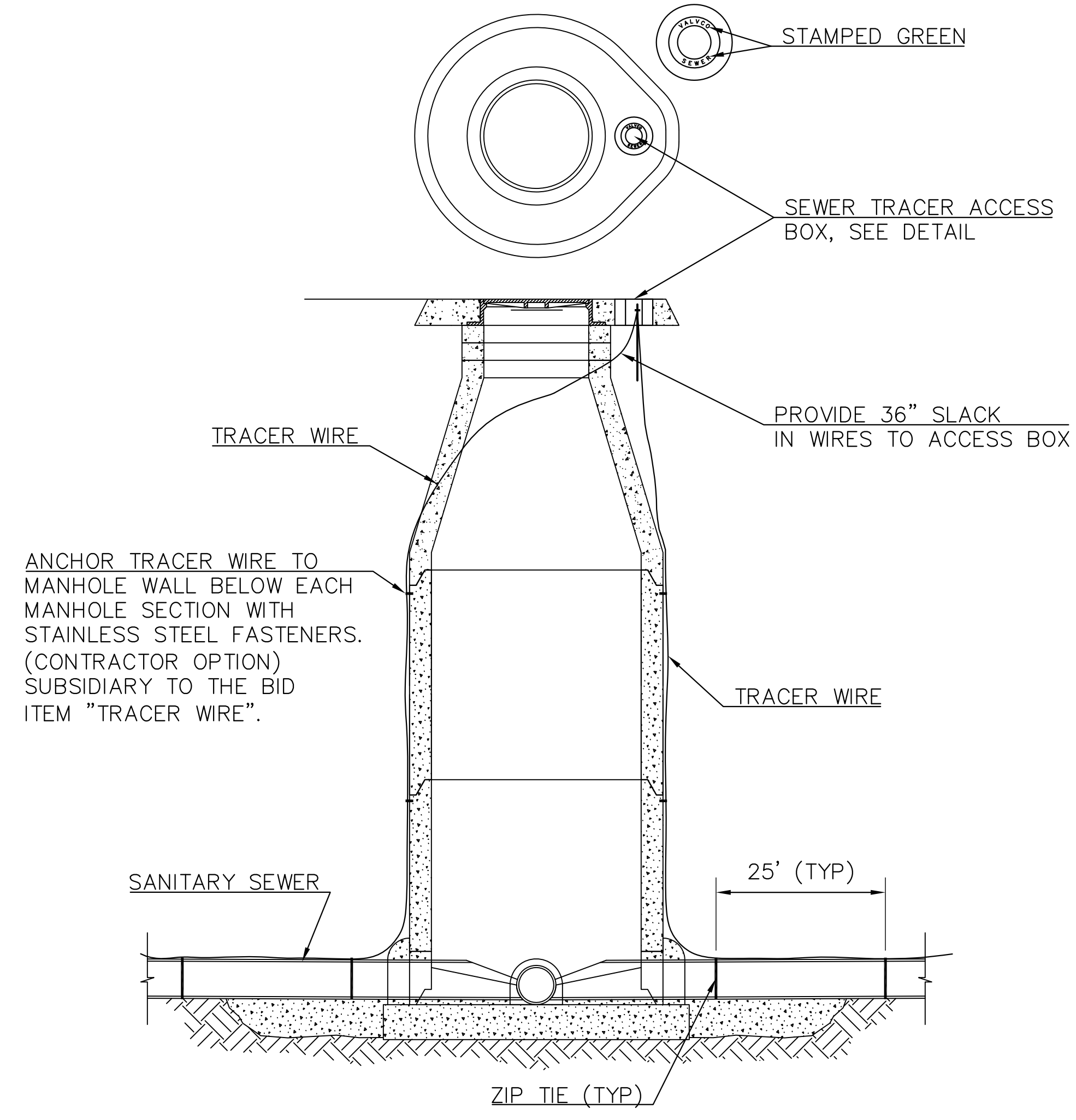
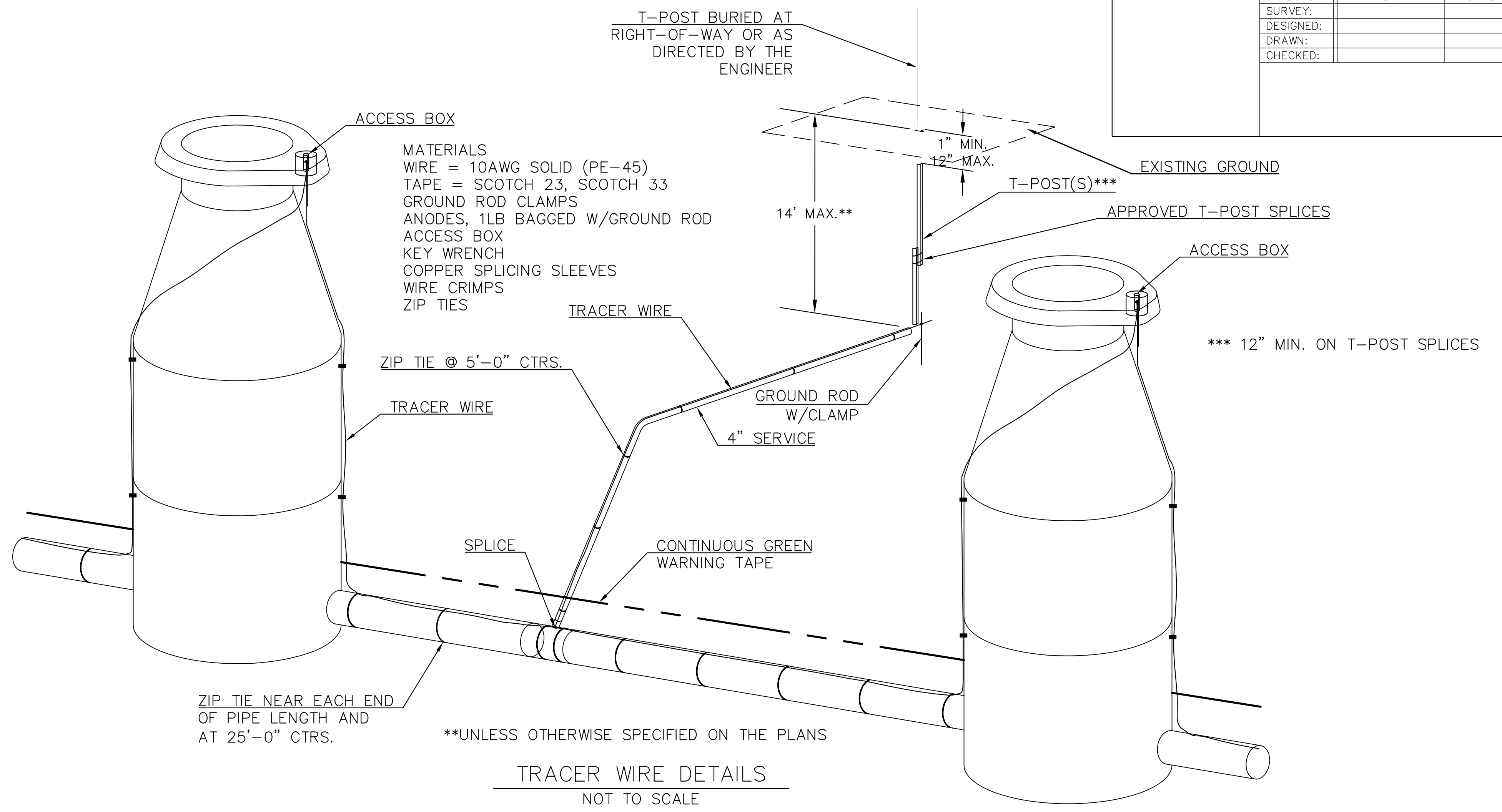


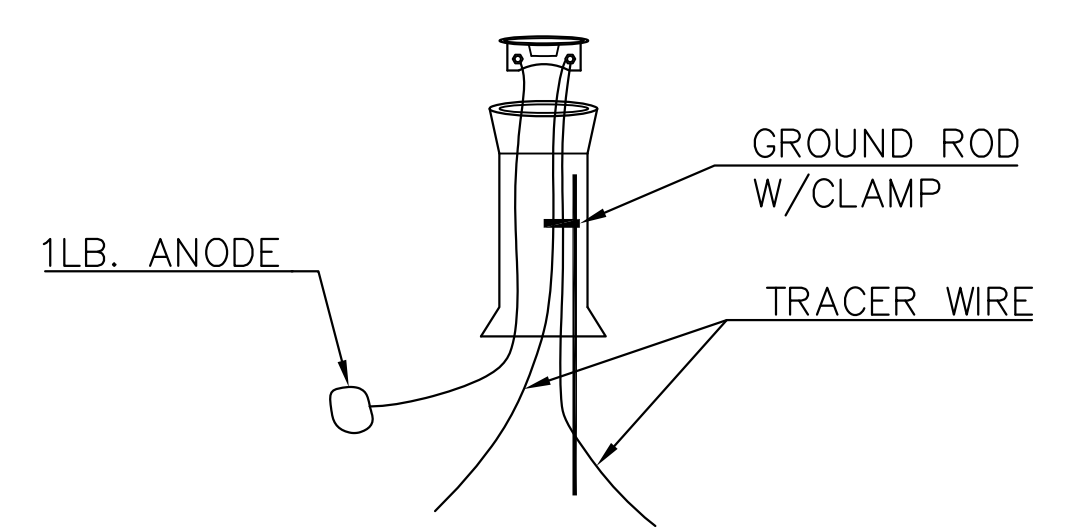
PLANS	BY	DATE
SURVEY:		
DESIGNED:		
DRAWN:		
CHECKED:		



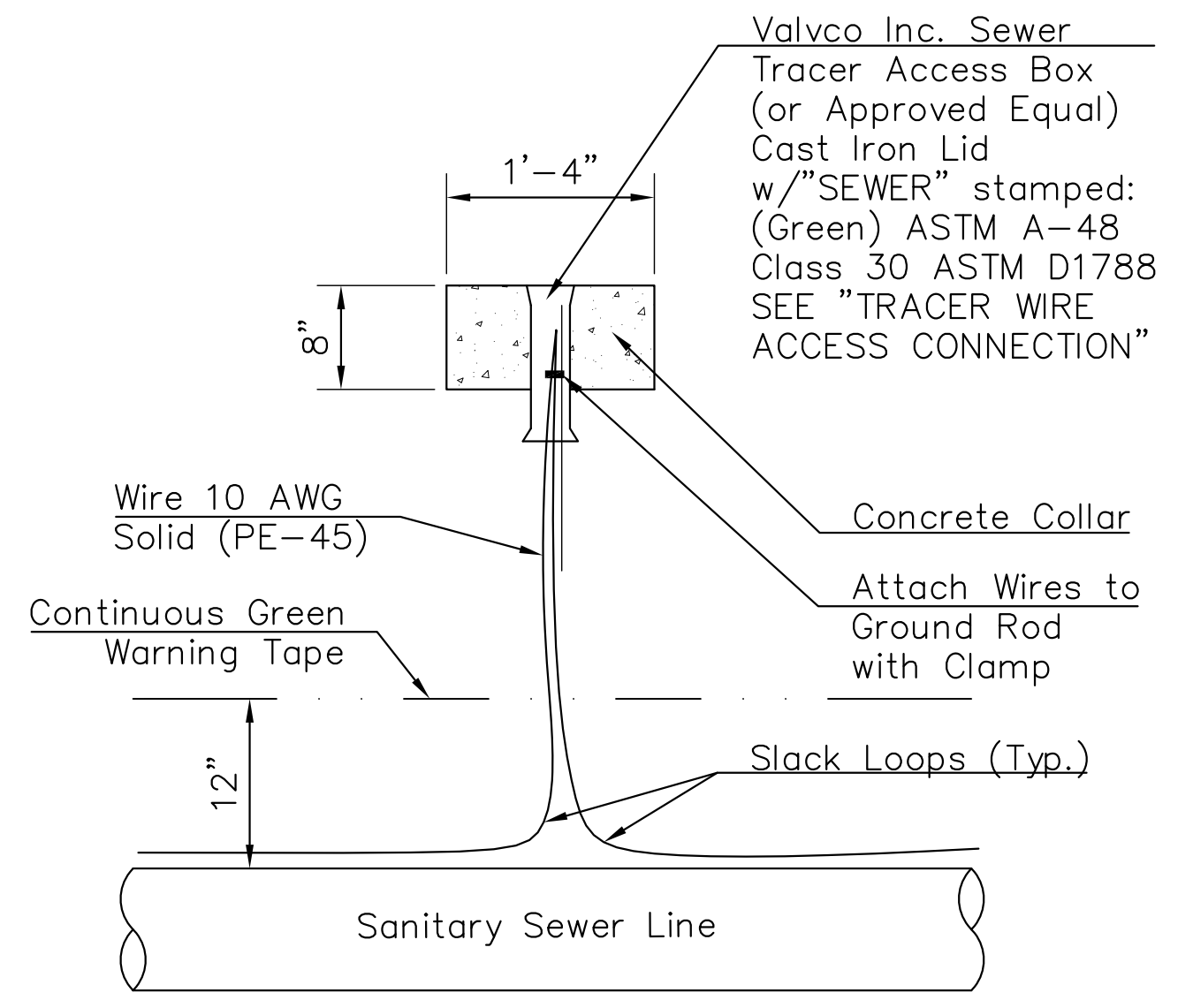
MANHOLE INSTALLATION  
NOT TO SCALE



TRACER WIRE DETAILS  
NOT TO SCALE



TRACER WIRE ACCESS CONNECTION  
NOT TO SCALE

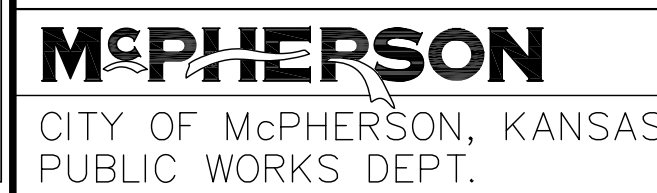


TRACER WIRE ACCESS BOX  
NOT TO SCALE

TRACER WIRE MATERIALS		
MATERIAL	PART NO.	VENDOR
WIRE = 10 AWG SOLID	PE-45 10THHN-SOL	STANION WHOLESALE ELECTRIC PHONE: 620 241-7906
TAPE - RUBBERIZED	SCOTCH 23 232x30FT 3M	ANYWHERE
TAPE - OVERLAP	SCOTCH 33 33+SUPER 34x66FT 3M	ANYWHERE
5/8" STEEL ROD, COPPER CLAD	BB058	STANION WHOLESALE ELECTRIC
ANODE	HI-POTENTIAL MAGNESIUM (1 LB.)	MIDWESTERN PIPELINE PRODUCTS PHONE: 918 446-6144
COPPER WIRE CRIMP	Y-C-8C8	STANION WHOLESALE ELECTRIC
COPPER SPLICING SLEEVES (FOR 10AWG)	1-102-J	STANION WHOLESALE ELECTRIC
BRASS GROUND ROD CLAMP	G5BLA	STANION WHOLESALE ELECTRIC

- NOTES
1. LOCATE TEST BOX OVER CENTERLINE OF SANITARY SEWER.
  2. PROVIDE TEST BOX AT EACH MANHOLE OR CLEAN OUT.
  3. PROVIDE 36" WIRE LOOP INSIDE ACCESS BOX (TYP)
  4. ALL ITEMS NECESSARY TO INSTALL TRACER WIRE TO BE SUBSIDIARY TO THE BID ITEM "TRACER WIRE".
  5. TESTING OF TRACER WIRE MUST BE DONE BY PIPING TECHNOLOGY CO. OF MCPHERSON, KANSAS, PHONE: 620 242-8054. THIS TESTING SHALL BE SUBSIDIARY TO THE BID ITEM "TRACER WIRE".
  6. TESTING MUST BE WITNESSED BY THE CITY ENGINEER.
  7. FINAL ACCEPTANCE WILL BE BASED ON WIRE IN PLACE AND TONING CORRECTLY.
  8. VALVE TEST STATIONS CAN BE PURCHASED FROM: OR TEST SERVICES. PHONE: 620 367-5062.

Design File: I:\PublicWorks\Standards\SanitarySewer\TracerWire\TracerWireSheet.dwg



PLANS REVIEWED BY	DATE	APP'D	DATE	REVISION	BY	APP'D

PRELIMINARY  
NOT FOR  
CONSTRUCTION

Project Title  
Project Description  
Project Location

TRACER WIRE DETAILS  
Installation details for Sanitary Sewer Tracer Wire

PROJECT NO:	SSD#	FILE:	TracerWireSheet.dwg
WORK ORDER NO:	----	PLOT BY:	RichardH
AS BUILT DATE:		PLOT DATE:	2015-12-29
INSPECTOR:		SHEET	43 OF 43