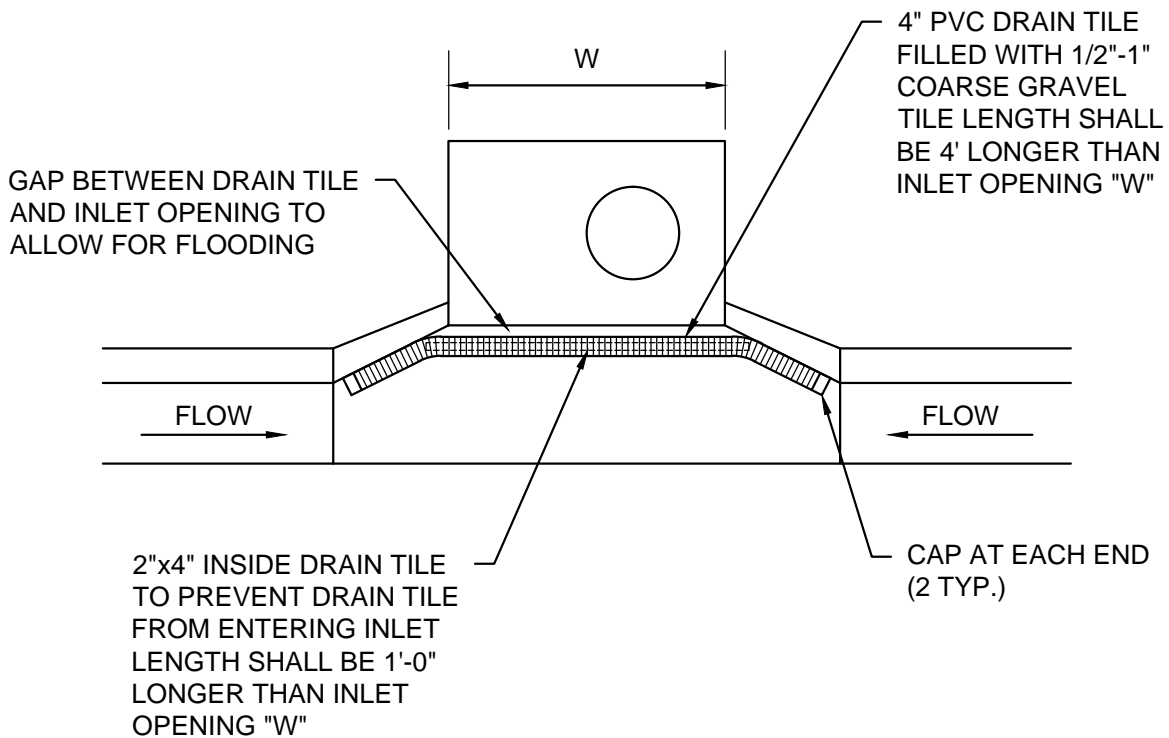


INSPECTION & MAINTENANCE

1. PVC DRAIN TILE SHOULD BE CLEANED REGULARLY TO REMOVE ACCUMULATED SEDIMENT AND OTHER DEBRIS.
2. INSPECT PVC FOR DAMAGE OR WEAR AND REPLACE AS NEEDED.
3. REMOVE SEDIMENT AND OTHER DEBRIS FROM THE PAVEMENT BEFORE REPLACING THE DRAIN TILE.
4. ENSURE PVC DRAIN TILE MAKES CONTACT WITH CONCRETE SURFACE ACROSS WIDTH OF INLET. IF THERE ARE GAPS THAT WILL ALLOW FLOW AND SEDIMENT TO PASS UNDER THE DRAIN TILE THEN ANOTHER FORM OF INLET PROTECTION WILL BE NECESSARY.
5. ENSURE DRAIN TILE DOES NOT COMPLETELY BLOCK INLET OPENING. A GAP MUST BE MAINTAINED BETWEEN INLET TOP AND THE TOP OF THE DRAIN TILE FOR AIR FLOW AND TO SERVE AS AN OVERFLOW DURING FLOODING RAIN EVENTS.



INLET PROTECTION

EROSION CONTROL DETAILS	INLET PROTECTION	
	FILE: P15_InletProtection_2050522.dwg	
	DRAWN BY: RichardH	DATE: 2015-05-26
	SCALE: NONE	SHEET: 15 OF 100